

Battery Replacement

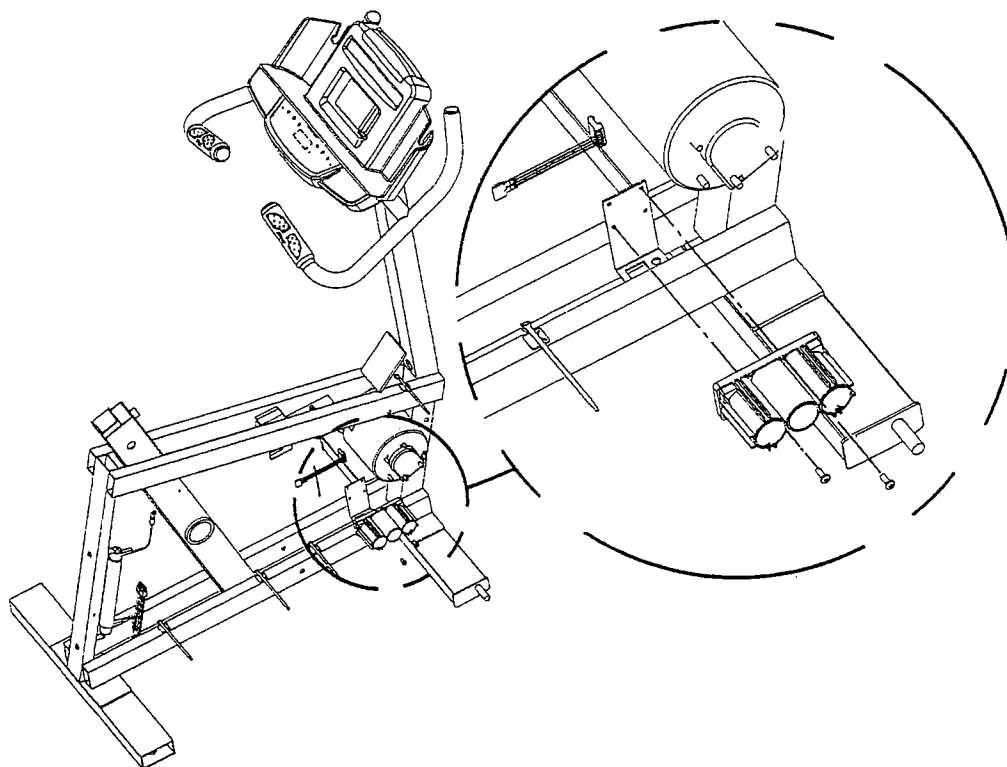
Tools

- Phillips head screwdriver

Time Required: 5 minutes

Procedure: Disconnect the battery

1. Disconnect the red (+) cable and the black (-) cable.



Remove screws

1. Using the Phillips head screw driver remove the two screws supporting the battery to the frame. (See diagram)

Install Battery

1. Using the Phillips head screwdriver re-install the two screws through the battery to the frame.